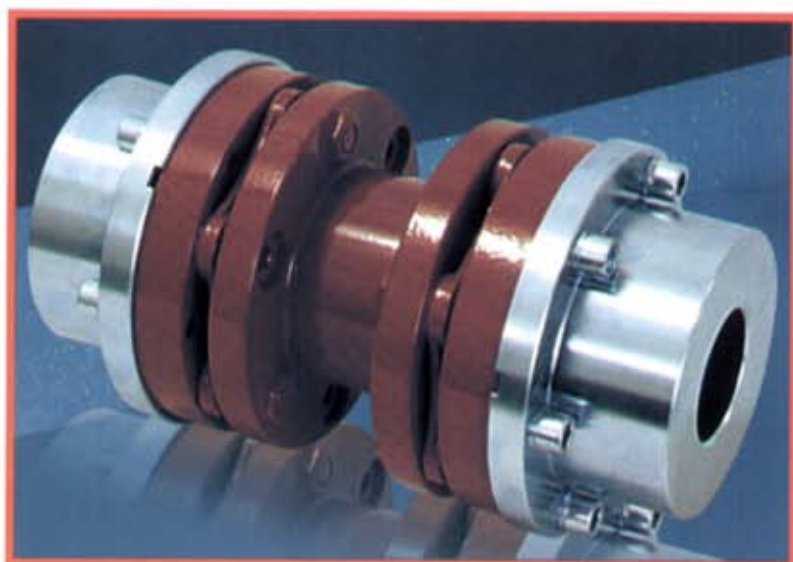


BRAFLEX FLEXIBLE COUPLINGS





BRAFLEX type ATK & ATS FLEXIBLE COUPLINGS

PERFORMANCE

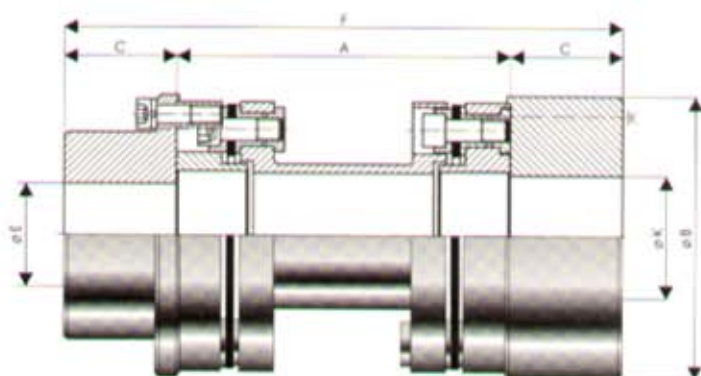
- ✓ Power: up to 1120 kW at 1000 rpm
- ✓ Speed: up to 21000 rpm

TECHNICAL CHARACTERISTICS

- ✓ High running speed: due to technical solution of the diaphragm fitting is allowed a high running speed (diaphragm with 6 assemble points)
- ✓ High safety: determined by assembly of dynamical elements
- ✓ Permanent dynamic balancing: spacer is balanced according to ISO standards
- ✓ Misalignment is allowed: parallel, angular and combinations of both are accepted in normal limits
- ✓ Easy disassemble and reassemble

SPECIFIC APPLICATIONS

- ✓ High possibilities to adapt any requirements
- ✓ Soft torsionally
- ✓ No lubrication required
- ✓ Balancing is good even for high speeds



Type ATK	Power (kW)at 1000 rpm	Max speed rpm $\times 10^3$	Torsional rigidity (Nm/rad) $\times 10^3$	Angular rigidity Nm (1)	Axial force N (2)	Allowable misalignment(3)		Rotative moment (kg m ²)			Dimensions A, min. (mm) (4)							
						Axial \pm mm	Radial A. min.	Spacer $\times 1/10^3$	100mm A. addit. $\times 1/10^3$	Hub		A	B	C	E	F	G	K
										Std. $1/10^3$	Addit. $1/10^3$							
0011	11	32.0	28	4.1	210	1.00	0.271	1.3	0.055	0.47	17	72	90	38.5	42	149	58	52
0027	27	25.5	55	6.2	280	1.25	0.328	3.8	0.135	1.23	42	72	112	44.5	45	161	75	65
0060	60	20.0	127	9.0	370	1.50	0.423	12.0	0.480	4.80	12	92	130	30.5	55	193	90	80
0110	110	18.5	240	12.0	570	2.00	0.534	29.0	1.200	11.00	26	116	152	61.5	80	239	112	90
0180	180	14.4	380	15.0	750	2.50	0.534	80.0	2.400	24.20	55	128	178	70.5	90	269	131	-
0400	400	10.5	860	41.0	1100	3.25	0.534	167.0	4.900	93.00		154	230	98	110	350	176	-
0750	750	8.0	1820	55.0	1500	4.25	0.616	405.0	11.900	260.00		154	260	103	118	360	185	-
1120	1120	7.0	2420	62.0	2750	5.00	0.716	670.0	19.200	428.00		154	320	108	125	370	200	-
Type ATS																		
5000	5000	3.0	3390	110.0	3900	4.40	0.834	2.3	63.500	512.00		185	416	150	165	485	240	-

- (1) Angular rigidity at 0,5° of angular misalignment. For values up to 0,5°, calculate the speed proportionally.
- (2) Axial force for maximum deformation.
- (3) Low values at 0,5° angular misalignment on diaphragm sets for speeds of 3600 rpm.
- (4) Values indicated for A.min.

BRAFLEX

500327 Braşov - ROMÂNIA
Str. G-ral IEREMIA GRIGORESCU nr. 6

Tel/Fax: (+40) 268 - 331 530
(+40) 268 - 331 533, 33 00 28
email: braflex@braflex.ro
http://www.braflex.ro